

ROTADAIRON®

CLEARMAX 145

MULTIFUNCTION TURF REGENERATION TOOL

WEEDING

RAKING

SOIL
PREPARATION

SEEDING

OVERSEEDING

DETHATCHING-
SPIKING

MULCHING



MADE IN FRANCE

MULTIFUNCTION TURF REGENERATION TOOL

CLEARMAX 145

Functions of the overseeder CLEARMAX 145

The Clearmax is a multifunctional tool designed for all stages of turf regeneration without chemical inputs. Its modular design allows each function to be adapted according to the season and turf requirements.

Its disc system performs precise soil work—weed stress, linear aeration, and light decompaction—promoting healthy turf while weakening weeds not affected by superficial scarifying.

The adjustable tine scarifier removes dead organic matter and lifts grass blades; in overseeding mode, it improves seed penetration and distribution.

The entilated fluted seeder ensures uniform seed distribution via a pneumatic system, with flow proportional to forward speed and adjustable from the cab.

The rear roller compacts seeds to support germination.

Thanks to its versatile design, the Clearmax guarantees durable improvement in turf density and quality.

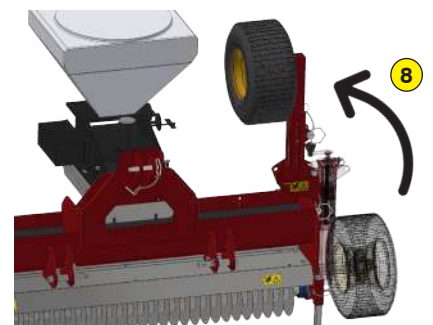
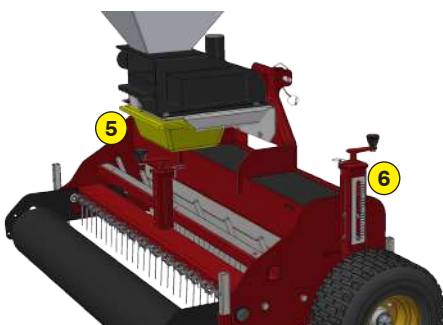
Quality of service

A large stock of spare parts is permanently maintained at our factory. Our partners have online tools and quick access to manufacturer information.

Maintain the quality and performance of your Rotadairon® by using only original parts.

- 1 Sharp discs for stress action on weeds
- 2 Adjustable tooth dethatching system
- 3 Ventilated Fluted Seeder (SCV)
- 4 Rear roller compacts the seed to promote germination
- 5 Calibration bucket
- 6 Adjusting the working depth of the cutting discs
- 7 Seeder control in the tractor cab
- 8 Retractable wheels for transport

Machine	CLEARMAX 145
Working width	1450 mm (57" 1/16)
Total width	2250 mm (88" 9/16)
Weight	520 kg (1147 lb)
Tractor : Required power	18 - 25 CV (18 -25 HP)
Working depth	0 to 40 mm (0" to 1" 9/16)
Distance between discs	47.5 mm (1" 7/8)
Outer diameter of the rotor	225 mm (8" 7/8)
Number of discs	32
Depth adjustment	Screw jacks
3 point hitch	Categories 1 & 2
Tractor forward speed	7 Km/h to 13 km/h (4.3 to 8 mph)
Transport dimension w x L x H	1730 mm x 1420 mm x 750 mm (68" 7/64 x 55" 7/8 x 28" 3/8)
Seeder	
Type of seed drill	Ventilated spline-slit seeder (SCV)
Seed rate adjustement	Potentiometer + proportional advance flow (DPA)
Seed drill capacity	80 liters (21 US gal)



ROTADAIRON
Départementale 92 - Les Hunaudières
72230 Mulsanne - France
Mail : contacts@rotadairon.fr
Phone number : (33) 2 43 422 422



www.rotadairon.fr